

L550 Red + Infra-Red

Medium intensity red LED obstruction light

Red flashing Obstruction light for night time marking of structures that present a hazard to aviation. Red flashing / steady/Infra-Red in night mode. Incorporates the benefits of advanced LED, Infra-Red optical and system control technologies to meet the most demanding applications.



Key features

- Five year warranty
- Housing based on 30 years of experience offshore product design experience
- Lightweight and easy to install
- Extremely low wind factor
- Integrated design with built-in photocell and monitoring – no additional power supply enclosures required
- No maintenance required over service life
- Orga optical design produces highly accurate and uniform narrow light beam
- Optional Integrated automatic flash synchronisation between lights
- Extremely low power consumption
- 15 year field proven power supply technology
- Long life power supply to match LED life, does not use electrolytic capacitors
- Level indicators for correct mounting
- Made in The Netherlands

Standards/Certification

- Certified to ICAO Annex 14 Volume 1, Sixth Edition, July 2013, Chapter 6, Medium Intensity Type B / C obstacle light
- Certified to United States Federal Aviation Administration AC150/5345-43G, December 2012, including Engineering Brief 67D, Medium Intensity Type L-864 obstacle light
- Certified to AVV (German "General Administrative Regulation for the marking and lighting of obstacles to air navigation") "Feuer W, rot"
- Various national approvals available upon request

Performance characteristics

- Horizontal beam pattern: 360°
- Flashing: see table
- Effective intensity: see table
- Vertical beam pattern: 3° minimum
- Infra-Red wavelength ~850nm
- Infra-Red beam follows visible light, or beam is according to local standards

Electrical characteristics

- Operating voltage: 120-240Vac nominal 50-60Hz
- Power factor: >0.8
- Power consumption: see table
- Overvoltage protection: Class III according to IEC61643-1

Physical characteristics

- Dimensions: L x W x H: see drawing
- Weight: 12kg
- Design degree of protection: IP65
- Operating temperature range: -40°C/+55 °C
- Shipping information: 550 x 550 x 400 mm; approx. 16kg
- Supplied with pre-mounted Orga cable for easy installation and high reliability
- Cable bending radius = 120mm
- Outer cable diameter Ø14.5 +/- 0.5mm

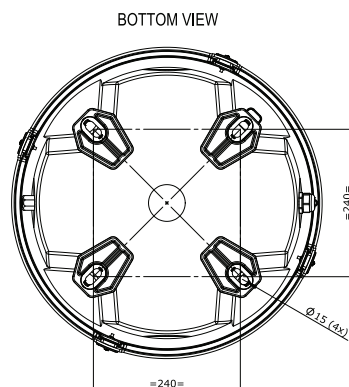
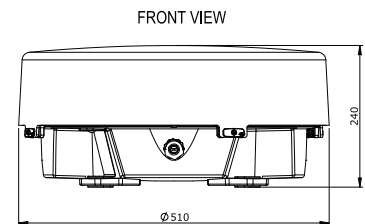
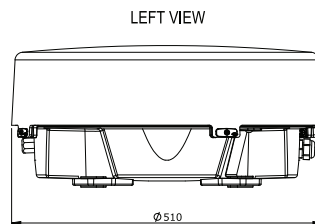
System design, control and monitoring

- Use as a stand-alone light, or in a multiple light system with an Orga CIP controller
- Optional Orga CIP controller facilities provides control interfaces for:
 - "smart switch" aircraft detection input
 - Visibility condition variable intensity input
 - Remote photocell control input/override
 - Visibility condition variable intensity input; intensity steps 30% and 10%

L550 Red + Infra-Red

Medium intensity red LED obstruction light

Product Type	Additional information						
	Light performance			Power consumption (W) @ 20 °C			Standard
	Day	Tw	Night	Day	Tw	Night	
L550-63B-IR-G	-	-	2.000cd Red 20fpm IR	6W	6W	19W	ICAO
L550-63B-ISA-H-IR-G	-	2000cd 20fpm Red+IR	2000cd 20fpm Red+IR	114W	114W	98W	ICAO
L550-63B-ISA-IR-G	-	2000cd 20fpm Red+IR	2000cd 20fpm Red+IR	6W	20W	9W	ICAO
L550-63B-ISB-IR-G	2000cd 20fpm Red+IR	2000cd 20fpm Red+IR	200cd 20fpm Red+IR	20W	20W	9W	ICAO
L550-63B-ISB-H-IR-G	2000cd 20fpm Red+IR	2000cd 20fpm Red+IR	200cd 20fpm Red+IR	114W	114W	99W	ICAO
L550-864-IR-G	-	2000cd 20fpm Red+IR	2000cd 20fpm Red+IR	6W	19W	19W	FAA
L550-63C-IR	-	-	2000cd Steady Red+IR	6W	6W	29W	ICAO
L550-3E5-W-IRM-G	-	-	2.000cd morse W and IR 60fpm	6W	6W	29W	CAA + MOD
L550-IRM-G	-	-	IR 60fpm	-	-	19W	MOD



Orga BV
Strickledeweg 13
3125 AT SCHIEDAM
The Netherlands

P.O. Box 3046
3101 EA SCHIEDAM
The Netherlands

T +31 (0)10 208 5555
F +31 (0)10 437 8445
info@orga.nl
www.orga.nl